

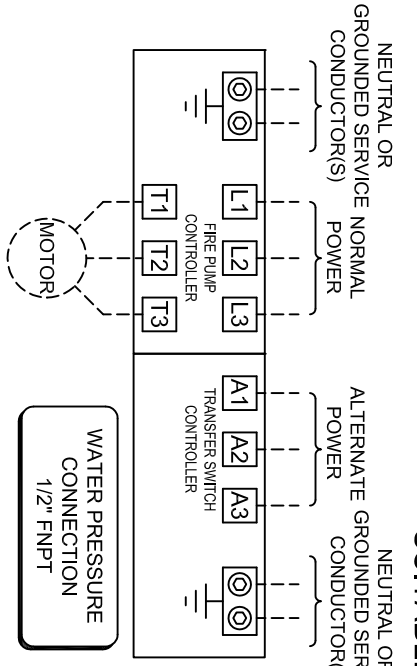
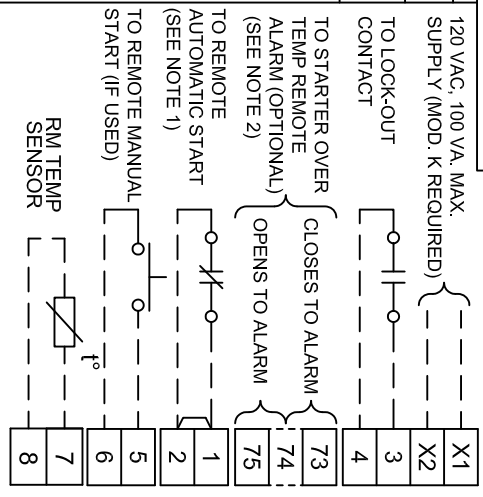




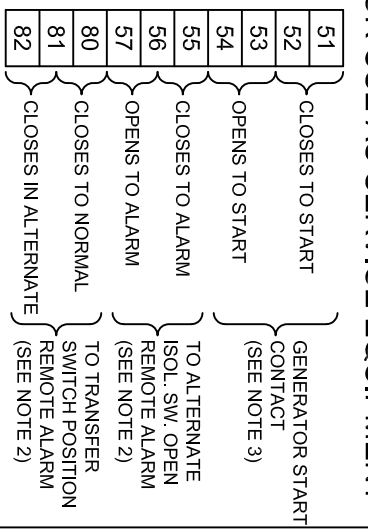
# 22-02901-01 A

REVISIONS

NEW RELEASE PER ECN L00141	120 VAC, 100 VA, MAX. SUPPLY (MOD. K REQUIRED)
REV A: G SERIES PRODUCT LAUNCH PER ECN E00787	TO LOCK-OUT CONTACT



## SUITABLE FOR USE AS SERVICE EQUIPMENT



### LINE TERMINAL LUG SIZE (PER PHASE)

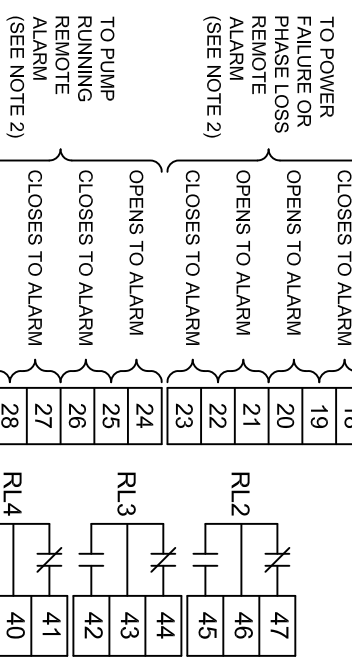
HORSEPOWER	WIRE CAPACITY (COPPER WIRE)		
	200 V.	230 V.	240 V.
5 - 25	5 - 30	5 - 50	5 - 60
30	---	60	75
40 - 60	40 - 75	75 - 125	100 - 150
75 - 150	100 - 200	150 - 350	200 - 400
200	250	400	400-450
---	---	5	5
5 - 60	5 - 75	7.5 - 100	7.5 - 100
75 - 100	100 - 125	125 - 200	125 - 200

### MOTOR TERMINAL LUG SIZE (PER PHASE)

HORSEPOWER	WIRE CAPACITY (COPPER WIRE)		
	200 V.	230 V.	240 V.
5 - 15	5 - 20	5 - 30	5 - 40
20 - 30	35 - 30	40 - 60	50 - 60
40 - 50	40 - 60	75 - 100	75 - 125
60 - 100	75 - 125	125 - 200	150 - 250
125 - 200	150 - 250	250 - 400	300 - 500
---	---	5 - 50	5 - 60
5 - 30	5 - 30	60 - 100	75 - 125
40 - 50	40 - 60	125 - 200	150 - 250
60 - 100	75 - 125	125 - 200	150 - 250

### NEUTRAL OR GROUNDING CONDUCTORS

5 - 25	5 - 30	5 - 50	5 - 60	5 - 60	5 - 75
30 - 60	40 - 75	60 - 125	75 - 150	75 - 150	100 - 200
75 - 100	100 - 125	150 - 200	200 - 250	200 - 250	250 - 350
125 - 200	150 - 250	250 - 400	300 - 450	300 - 500	400 - 500



**NOTES:**

- REMOVE JUMPER IF A REMOTE AUTOMATIC START DEVICE IS USED. THE CONTACT ON THE DEVICE OPEN TO START THE PUMP.
- ALARM CONTACT RATING: 5 AMP MAX, 240 VAC, 30 VDC.
- GENERATOR START CONTACT RATING: 5 AMP MAX, 30 VDC.

CONDUCTOR NOTES  
 -FOR PROPER WIRE SIZING, REFER TO THE NATIONAL ELECTRICAL CODE, NFPA 70 OR OTHER LOCAL CODES.  
 -CONTROLLERS IS PHASE ROTATION SENSITIVE. OBSERVE PHASE ROTATION, L1,L2,L3 MUST BE IN ABC SEQUENCE.  
 -THE LINE AND MOTOR TERMINALS WILL ACCOMMODATE, AS A MINIMUM, COPPER CABLES CAPABLE OF CARRYING 125% OF THE MOTOR FULL LOAD CURRENT.